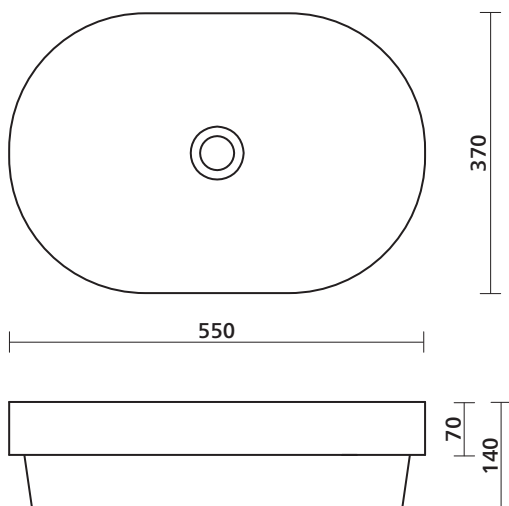


Obello 550

Collection: Elevate



Inset above counter basin, super-ellipse

Order code

192961 Obello 550 ceramic basin

Product details

| | |
|----------|---|
| TAPHOLE | No taphole. |
| WASTE | Suits standard 32 mm non-overflow waste (not supplied). |
| OVERFLOW | No overflow. |
| MATERIAL | Vitreous china. |
| COLOUR | White, Gloss finish. |
| FIXING | Always use the actual basin to verify cutout. Use silicone sealant. Do not use epoxy type adhesives. |

Premium Basin Wastes (AVAILABLE SEPARATELY)

POP-OUT BASIN WASTE – CERAMIC CAP + CHROME BASE

| | |
|--------|---|
| 192257 | Ceramic Pop-out Basin Waste, White Silk Matte |
| 192258 | Ceramic Pop-out Basin Waste, White Gloss |
| 192259 | Ceramic Pop-out Basin Waste, Black Silk Matte |

(Note: Ceramic cap also available in other colours.)

POP-OUT BASIN WASTE – COLOUR METAL CAP + COLOUR BASE

| | |
|--------|--------------------------------------|
| 192010 | Pop-out Basin Waste – Chrome |
| 192012 | Pop-out Basin Waste – Brushed Nickel |
| 192199 | Pop-out Basin Waste – Gunmetal |
| 192013 | Pop-out Basin Waste – Brushed Gold |
| 192009 | Pop-out Basin Waste – White Matte |
| 192011 | Pop-out Basin Waste – Black Matte |



basin wastes

SEIMA

kitchen + laundry + bathroom ware

seima.com.au

Please note

- All measurements are in millimetres.
- Dimensions are nominal and subject to normal ceramic manufacturing variations of ± 5 mm.
- Wastes, taps and bottle traps shown in images are not included unless specified.
- Fixing: Use silicone sealant. Do not use epoxy type adhesives.
- Always use the actual basin to verify cutout.
- Specifications may vary without notice as part of our continuous improvement practices.
- Clean with a damp cloth. Do not use abrasive cleaners, liquids or pastes.